

ECO-Sure (2e)

Operating Performance

Operating Principle	2-electrode electrochemical
Gas Detected	Carbon Monoxide
Measurement Range	0-500 ppm
Maximum Overload ²	1000 ppm
Expected Operating Life	>5 years in air
Output Signal	0.045 ± 0.015µA per ppm
Temperature Range	Continuous: -10°C to +50°C Intermittent: -20°C to +50°C
Pressure Range	1 atm ±10%
Humidity Range (non-condensing)	Continuous: 15 - 90% Intermittent: 0 - 99%
Response Time (T ⁵ ₉₀)	<50 seconds
Baseline Offset (clean air)	<+8.0ppm equivalent
Zero Shift (-10 to +50°C)	<+5.0ppm
Long Term Output Drift	<5% per annum
Repeatability	<+5%
Linearity	Linear ±<5%
Recommended Load Resistor	5Ω
Bias Voltage	Not required

Intrinsic Safety Data

Maximum at 1000ppm	0.1mA
Maximum o/c Voltage	1.3V
Maximum s/c Current	<1.0A

Physical Specification

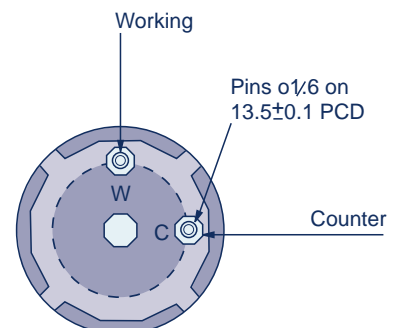
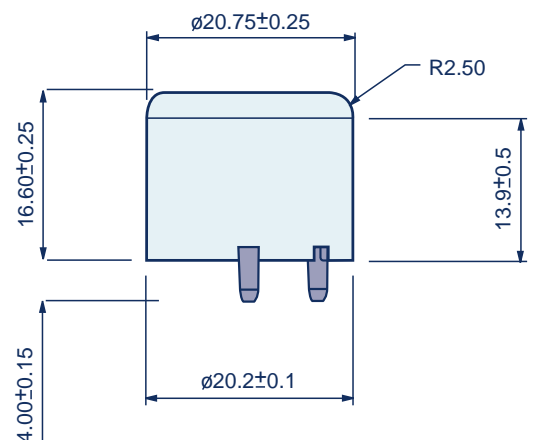
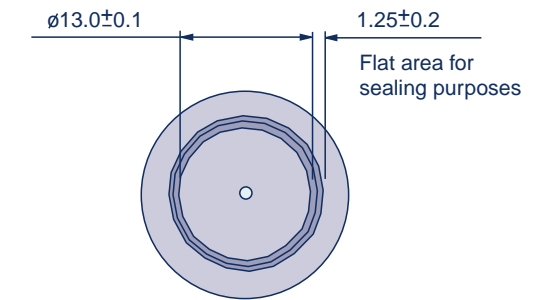
Weight	5g (approx)
Housing Material	Noryl 110
Storage Life	6 months in sealed container
Storage Conditions	+10°C to +30°C
Orientation	Any
Warranty Period	Up to 60 months

Ordering Details

Part Number	2112B3000
-------------	-----------

Order From	Sixth Sense Hatch Pond House, 4 Stinsford Road Poole, Dorset, England BH17 0RZ T: +44 (0) 1202 645770 F: +44 (0) 1202 665331 E: sensors@sixth-sense.com W: www.sixth-sense.com
------------	--

Code date: 08/00

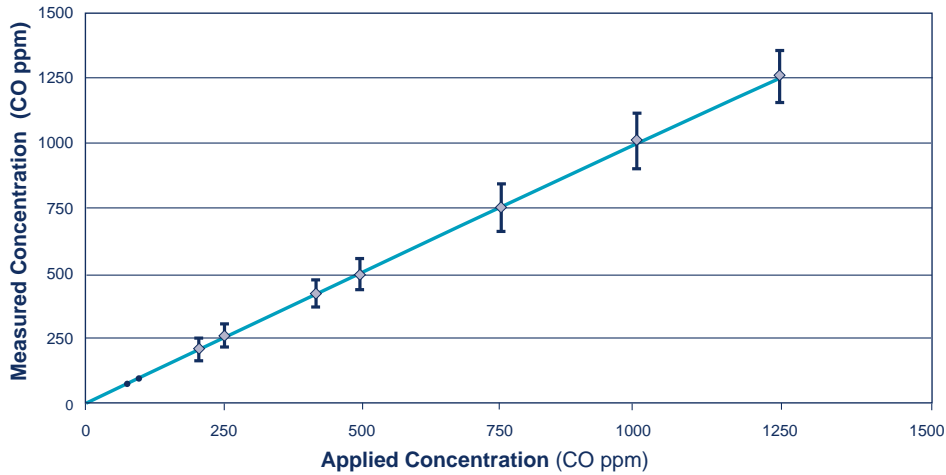




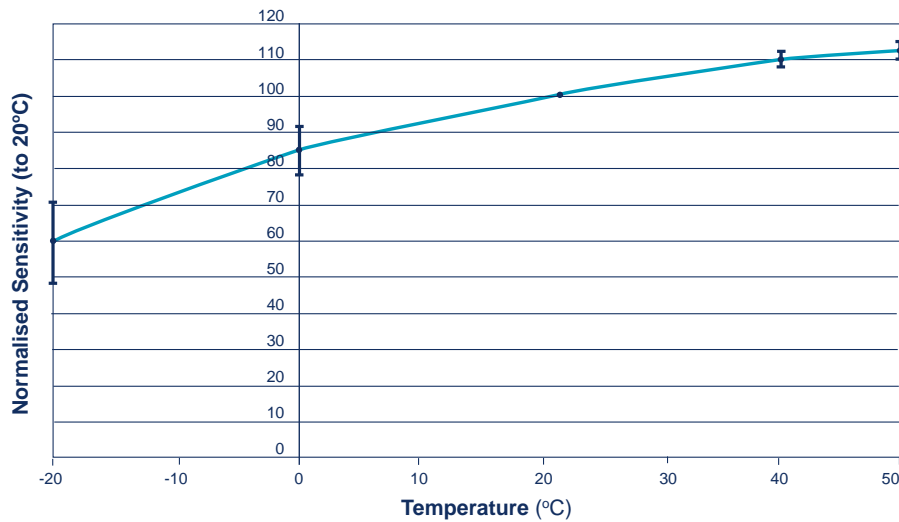
Additional Information

Innovation, Quality and Expertise for Gas Detection.

Linearity of ECO-Sure Cells (0 to 1250 ppm CO)



Temperature Coefficients of ECO-Sure Cells



Cross Sensitivity Table

Gas	Concentration Used (ppm)	Exposure Time (mins)	Reading (ppm CO)
Carbon Monoxide	100	5	100
Hydrogen Sulphide	25	5	0
Sulfur Dioxide	50	600	<0.5
Nitrogen Dioxide	50	900	-1.0
Nitric Oxide	50	5	8
Chlorine	2	5	0
Hydrogen	100	5	20
Carbon Dioxide	5000	5	0
Ammonia	100	5	0
Ethanol	2000	30	5
Iso-Propanol	200	120	0
Acetone	1000	5	0
Acetylene	40	5	80

In the interest of product improvement, Sixth Sense reserves the right to alter design features and specifications without notice. Unless otherwise stated, all product specifications are quoted at standard temperature and pressure.

***Note:** The figures in this table are typical values and should not be used as a basis for cross calibration. Cross sensitivities may not be linear and should not be scaled. For some cross interferences break through will occur if gas is applied for a longer time period.