

RS4-MA v 1.6
rosensor.com































































































































































































































































































































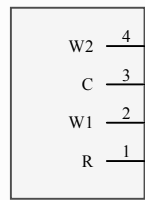




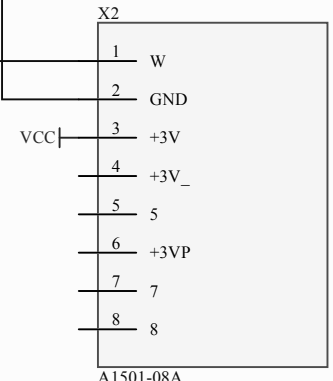
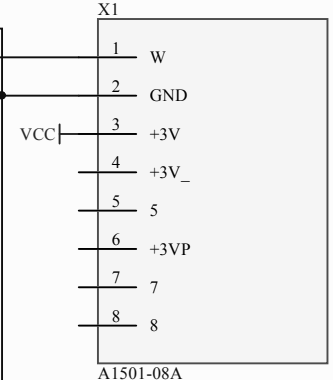
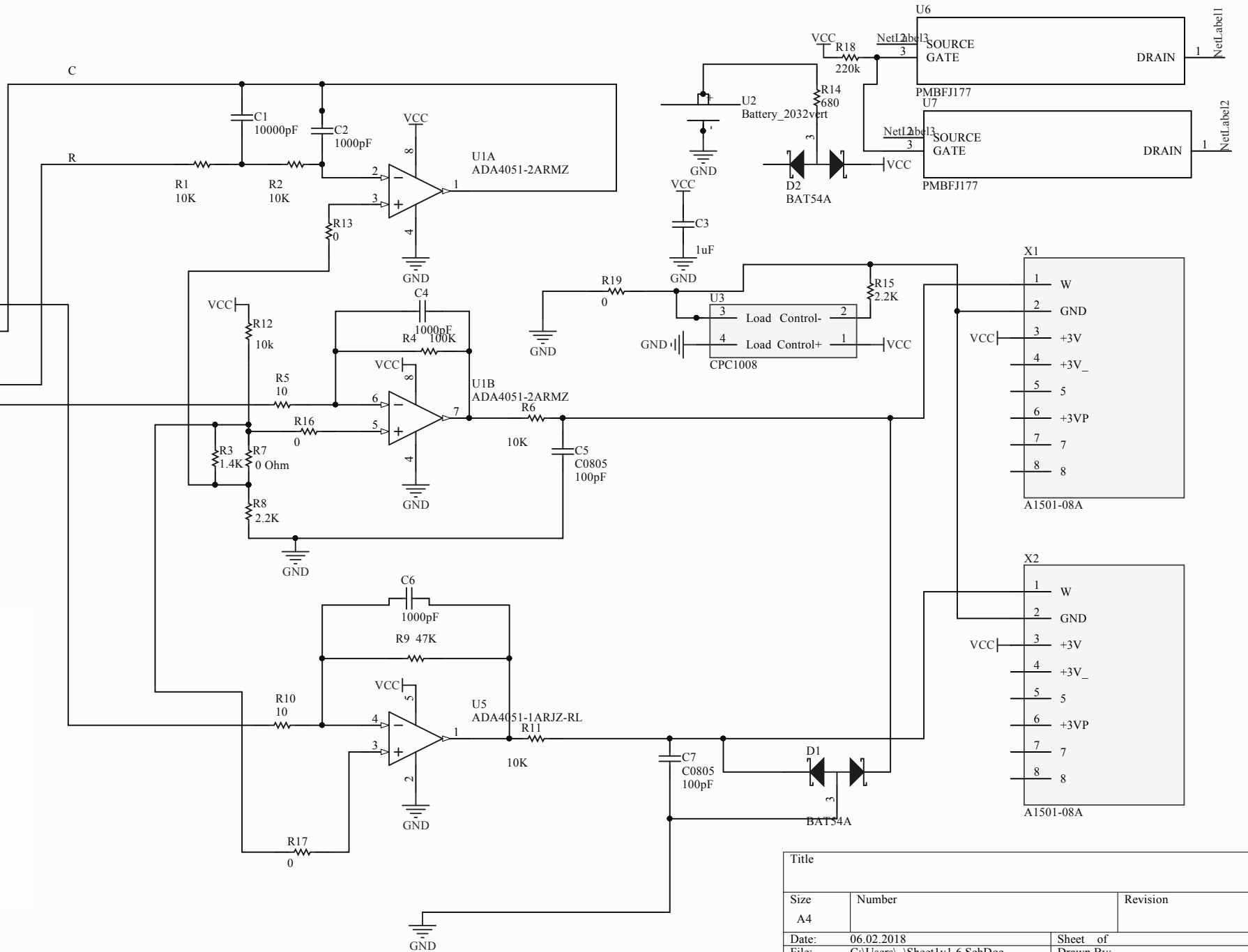








- NH3 - без изменений
- SO2 - R5 10 -> 33
- HCl - без изменений
- H2S - без изменений
- CL2 - R5 10 -> 33
- R8 2,2k -> 47k
- R4 100k -> 220k
- NO2 - R8 2,2k -> 47k
- NO - R12 10k -> 11k
- R7 0 -> 1.5k
- R8 2.2k -> 2.2k



Title		
Size	Number	Revision
A4		
Date:	06.02.2018	Sheet of
File:	C:\Users\...\Sheet1v1.6.SchDoc	Drawn By: